

GMC-S60 Magnetic Touch Latch

Features

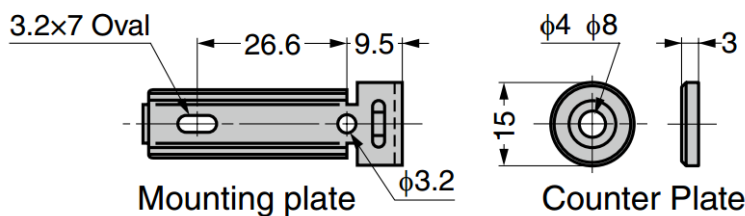
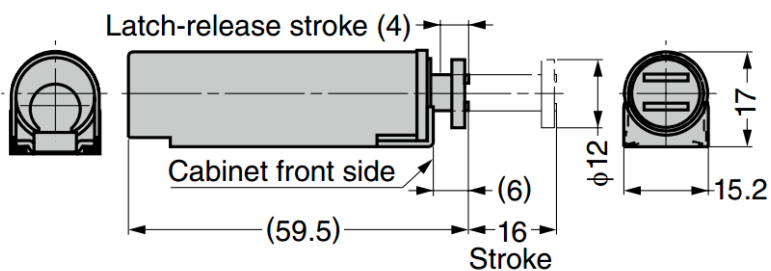
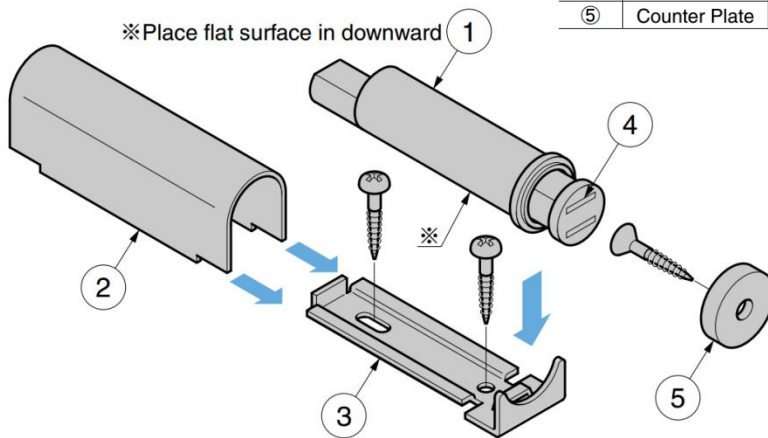
- Push to open/close
- Can be used for overlay and inset door
- Stylish design with stainless steel cover
- Passed 20,000 life cycle test

Parts Included

- Counter plate **GW12**
- Pan head wood screw 3.1×13
- Countersunk head wood screw 3.8×16



No.	Part Name	Material	Finish / Colour
①	Body	ABS/POM	Brown
②	Cover	Stainless Steel (SUS430)	-
③	Mounting Plate	Steel (SPCC)	Nickel
④	Yoke		
⑤	Counter Plate	Steel (SUM)	



Part No.	Magnetic Force	
GMC-S60	10.8 N	1.1 kg